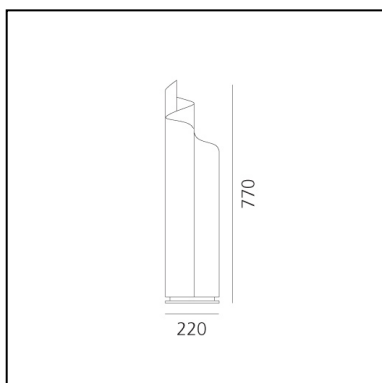


# Mezzachimera

Vico Magistretti



IP20     



## LUMINAIRE

- Watt: **180W**
- Voltage: **220V-240V**
- Delivered lumens output: **2130lm**
- CCT: **2700K**

## DESCRIPTION

Base in painted metal; structure/diffuser in heatcurved opal methacrylate.

**PRODUCT CODE: 0055010A**

## FEATURES

- Article Code: **0055010A**
- Colour: **White**
- Installation: **Table**
- Material: **Methacrylate, aluminium**
- Series: **Design Collection**
- Environment: **Indoor**
- Emission: **Diffused And Filtered**
- design by: **Vico Magistretti**

## DIMENSIONS

- Height: **cm 77**
- Diameter: **cm 22**
- Impact Resistance: **N.D.**
- Glow Wire Test: **N.D.°**

## NOT INCLUDED SOURCES

- Category: **HALO**
- Number: **3**
- Lbs: **Qt32**
- Watt: **46W**
- Socket: **E27**
- Color Rendering: **1a**
- Duration (h): **2000h**

## ALTERNATIVE SOURCES

- Category: **LED RETROFIT**
- Number: **3**
- Watt: **9W**
- Delivered lumens output: **806lm**
- Socket: **E27**